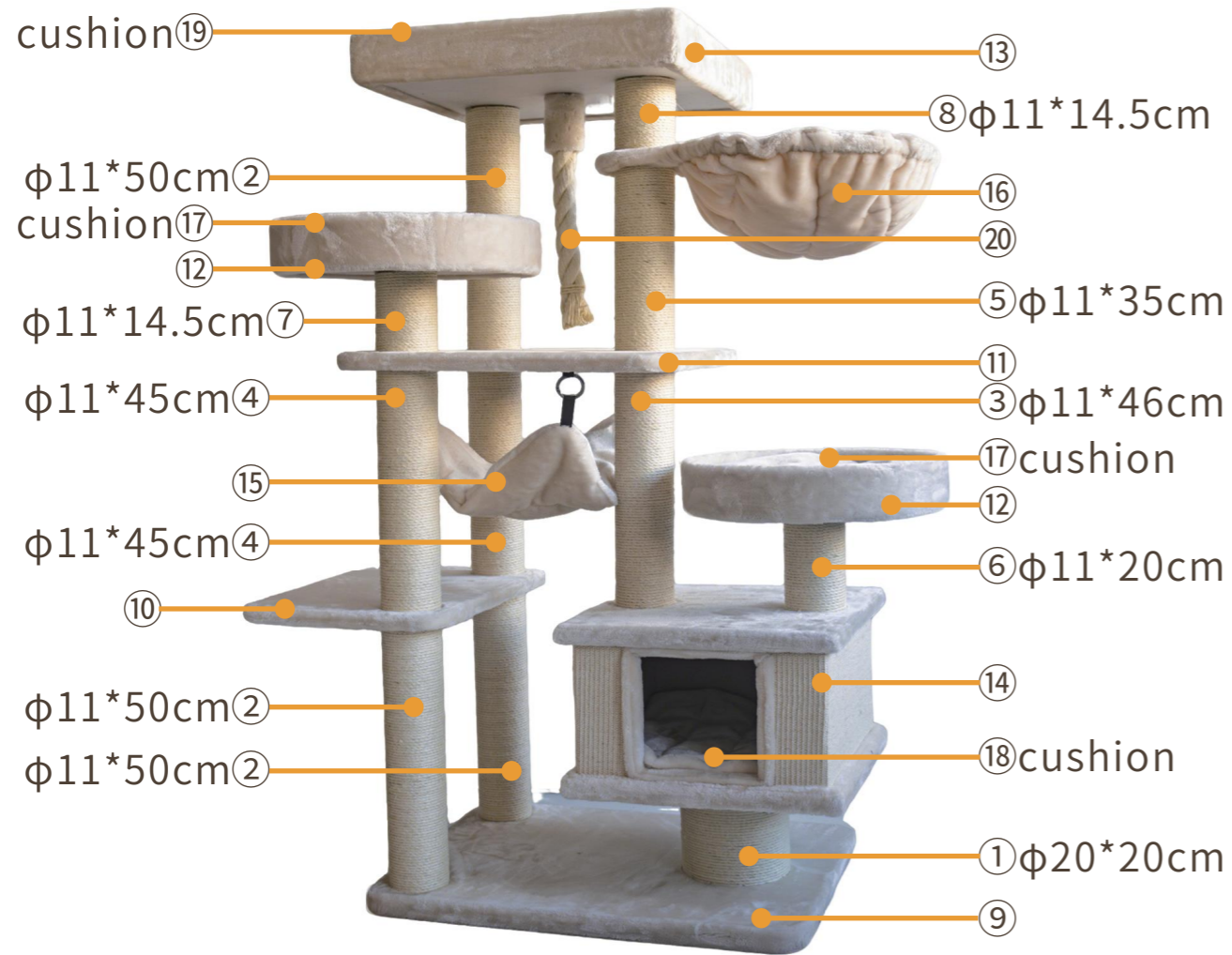




Cat Tree
Assembly Manual

Color is only for reference



Please arrange all the parts in serial number as follows



Component detail list

Parts	Size	Qty	S/N	Box
	φ20*20cm	1	①	2/2
	φ11*50cm	3	②	
	φ11*46cm	1	③	
	φ11*45cm	2	④	
	φ11*35cm	1	⑤	
	φ11*20cm	1	⑥	
	φ11*14.5cm	1	⑦	
	φ11*14.5cm	1	⑧	
	79*59*4cm	1	⑨	1/2
	58*40cm	1	⑩	
	58*58cm	1	⑪	
	φ45*8cm	2	⑫	2/2
	58*58*8cm	1	⑬	1/2
	48*48*30cm	1	⑭	2/2
	50*43cm	1	⑮	
	φ45cm	1	⑯	
	φ44cm	2	⑰	
	42*42cm	1	⑱	
	56*56cm	1	⑲	
	45cm	1	⑳	
	45cm	1	⑳	

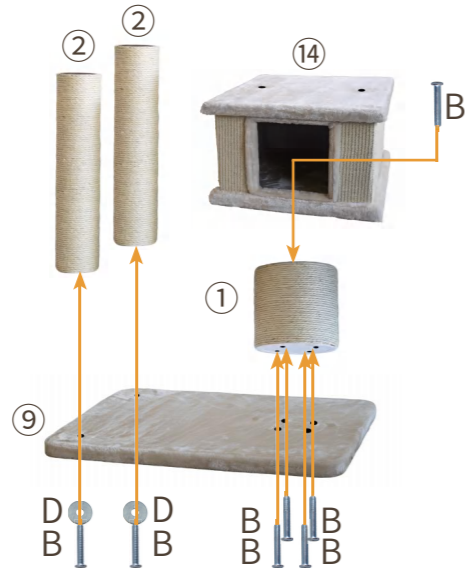
Screw list 1:1

Size	Scale	Qty	S/N	Box
φ10*80mm	1:1	6+1	A	2/2
φ10*60mm	1:1	7+1	B	2/2
φ10*40mm	1:1	4	C	2/2
φ35mm	1:1	4	D	2/2

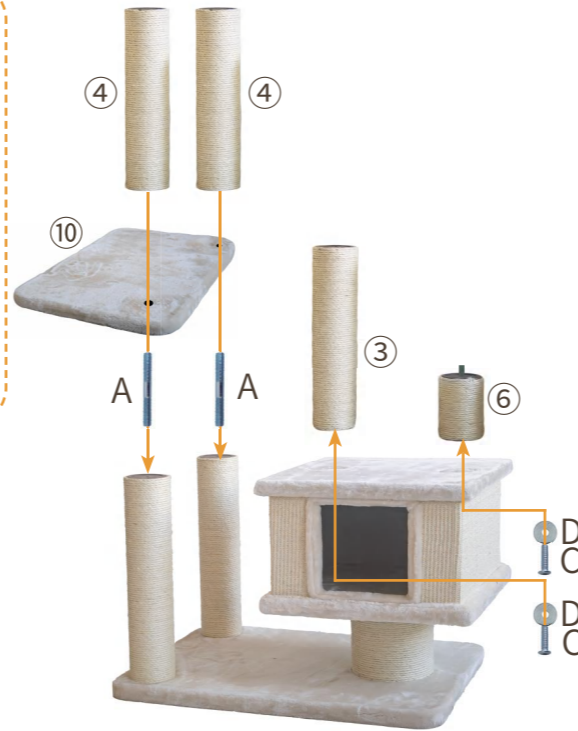
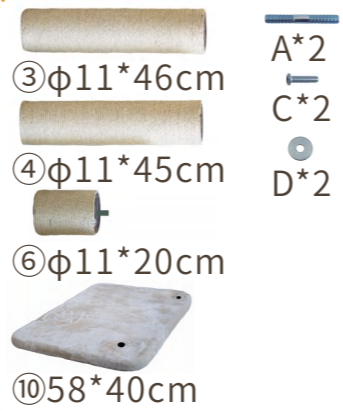


1 Step1

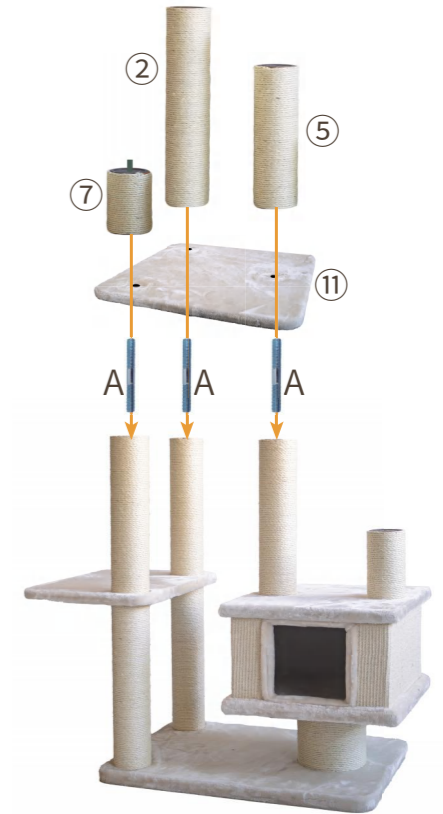
Please follow the parts and screws in the parts bar for installation.



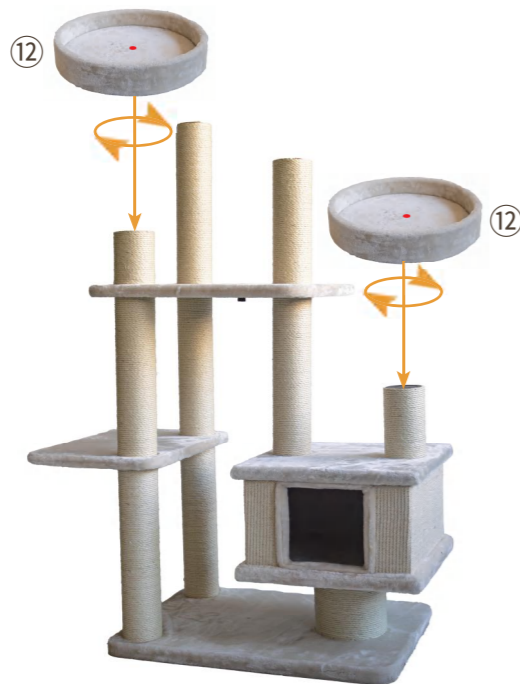
2 Step2



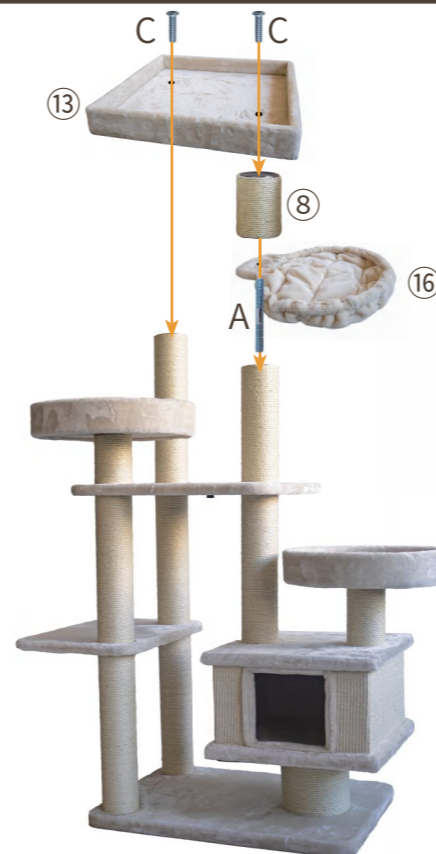
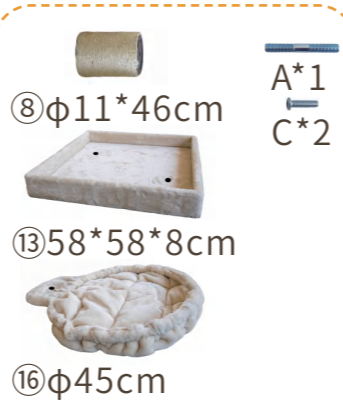
3 Step3



4 Step4



5 Step5



6 Step6

