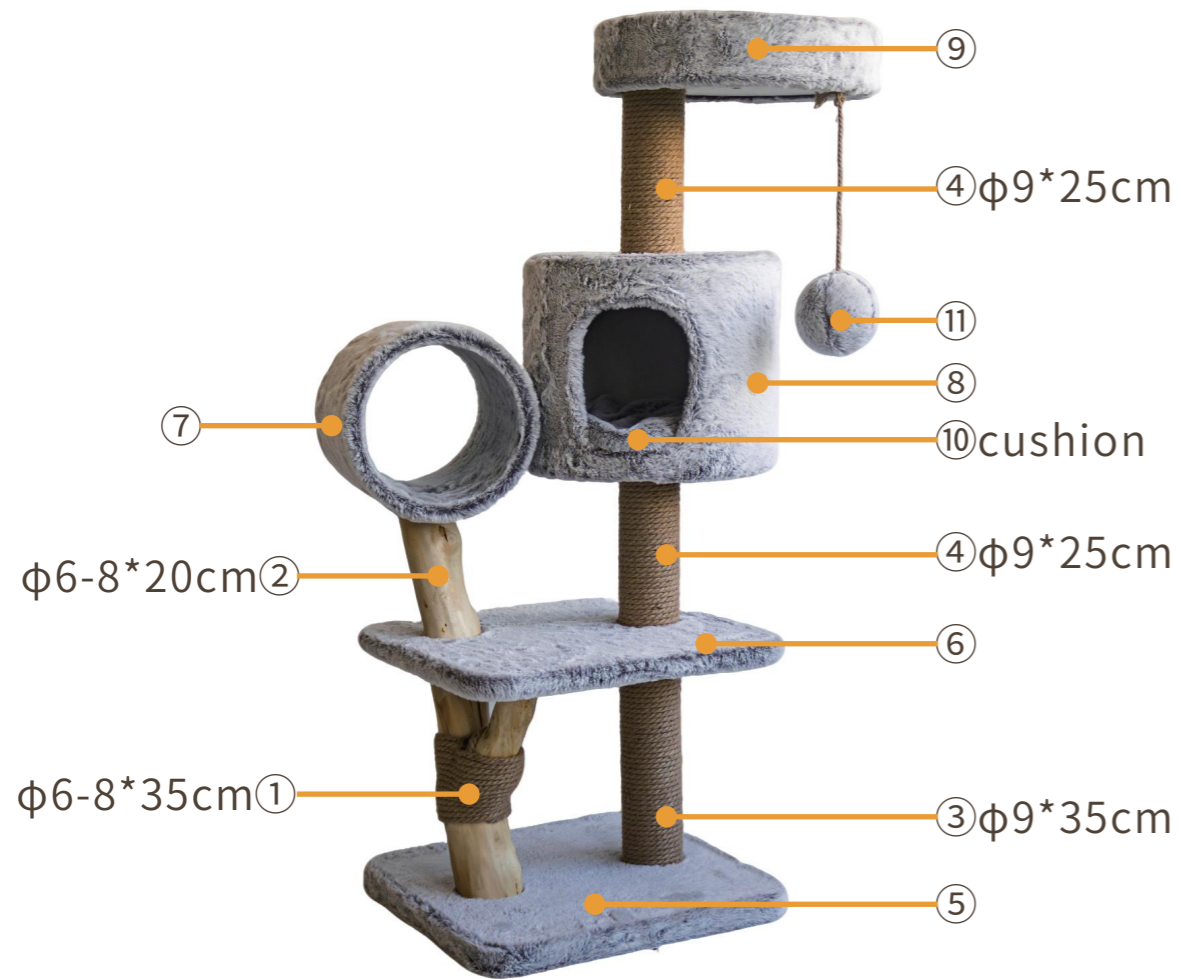




**Cat Tree**  
Assembly Manual

Color is only for reference



Please arrange all the parts in serial number as follows



### Component detail list

Parts	Size	Qty	S/N	Box
	φ6-8*35cm	1	①	1/1
	φ6-8*20cm	1	②	
	φ9*35cm	1	③	
	φ9*25cm	2	④	
	48*48cm	1	⑤	
	48*48cm	1	⑥	
	φ25*30cm	1	⑦	
	φ35*30cm	1	⑧	
	φ40*8cm	1	⑨	
	φ34cm	1	⑩	
	φ10cm	1	⑪	

### Screw list 1:1

Size	Scale	Qty	S/N	Box
φ10*80mm	1:1	2	A	1/1
φ10*60mm	1:1	2	B	1/1
φ10*40mm	1:1	4	C	1/1
φ35mm	1:1	4	D	1/1
	1:1	1	E	1/1



### 1 Step1

Please follow the parts and screws in the parts bar for installation.

①  $\phi 6-8 \times 35\text{cm}$

③  $\phi 9 \times 35\text{cm}$

⑤  $48 \times 48\text{cm}$

B\*2

D\*2

### 2 Step2

②  $\phi 6-8 \times 20\text{cm}$

④  $\phi 9 \times 25\text{cm}$

⑥  $48 \times 48\text{cm}$

A\*2

### 3 Step3

⑦  $\phi 25 \times 30\text{cm}$

⑧  $\phi 35 \times 30\text{cm}$

C\*2

D\*1

E\*1

The wood is natural and of various shapes. The holes in the solid wood post may not be aligned during the assembly process, which need to swing the post from side to side, or loosen the screw half a circle to align, then lock all the screws. Sorry for the inconvenience and thanks for your understanding.

### 4 Step4

④  $\phi 9 \times 25\text{cm}$

⑨  $\phi 40 \times 8\text{cm}$

C\*2

D\*1

### 5 Step5

⑩  $\phi 34\text{cm}$

⑪  $\phi 10\text{cm}$

### 6 Step6

- A  $\phi 10 \times 80\text{mm}$
- B  $\phi 10 \times 60\text{mm}$
- C  $\phi 10 \times 40\text{mm}$
- D  $\phi 35\text{mm}$
- E